

LD57SQ

Unlensed Low Glare LED Wall Light



Data sheet - Page 1

The LD57SQ is the square bezel version of the LD57. It has been specifically designed to produce minimal glare and be IP67 rated. This makes it perfect for use as a steplight or bulkwalk mounted yacht decklight. The LED is hidden from view by a black anodized shield behind half the glass and whilst the lack of a lens means output is lower, it is adequate for gentle deck and steplighting without any glare from the lightsource (LD57SQ-700 2.4W 700mA recommended).

Key Features

- LED deep recessed within a black anodised body for no glare
- No optic or reflector
- Minimal aesthetic
- Typical 93 CRI in 3000K warm white
- No visible fixings (spring clips or 'O' rings and first fix sleeve)
- Integral anti-wicking barrier
- Range of bezel finish options
- Available with Switch, 1-10V, DMX, Dali or Mains dimmable drivers

Specification

Applications



LED type	1 x Cree XPG2					
Colour temperature	2700K** / 3000K			5000K		
Drive Current (mA)	350	500	700	350	500	700
LED power* (W)	1.2W	1.7W	2.4W	1.2W	1.7W	2.4W
CRI (typical)	93	93	93	75	75	75
Forward voltage (V) ₁₀₀	3.0V	3.2V	3.4V	3.0V	3.2V	3.4V
LED lifetime (to 70% lumen maintenance)	50,000hrs at a max ambient temperature of 35°C (if specifying fitting in ambient temperatures of up to 45°C run at 500mA max, LD57-500)					
Materials	Black anodised aluminium body, Machine finish 316 stainless steel bezel (other options available)					
Glass	2mm thick borosilicate					
Wiring	Comes pre-wired with 2 core 200mm lead, can be specified with up to 10m at extra cost					
IP rating	IP67					

*LED wattage includes losses associated with using an 85% efficient driver

**2700K lumen output is 12% lower than the 3000K figure listed

4000K lumen output is 14% higher than the 3000K figure listed (80CRI)



LD57SQ

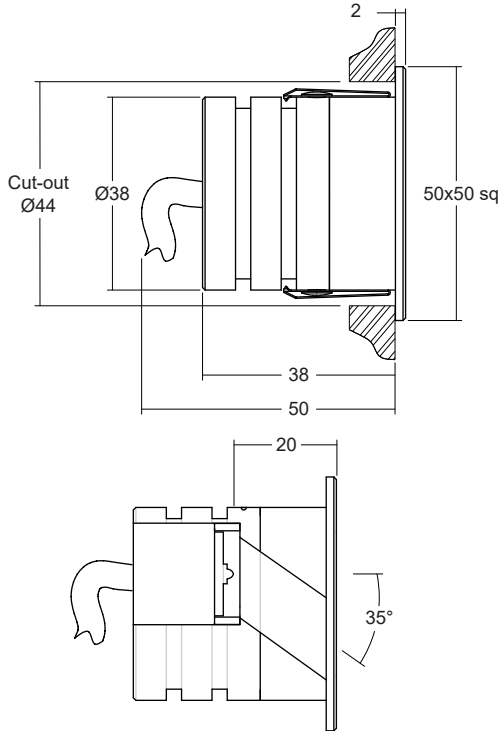
Unlensed Low Glare LED Wall Light



Data sheet - Page 2

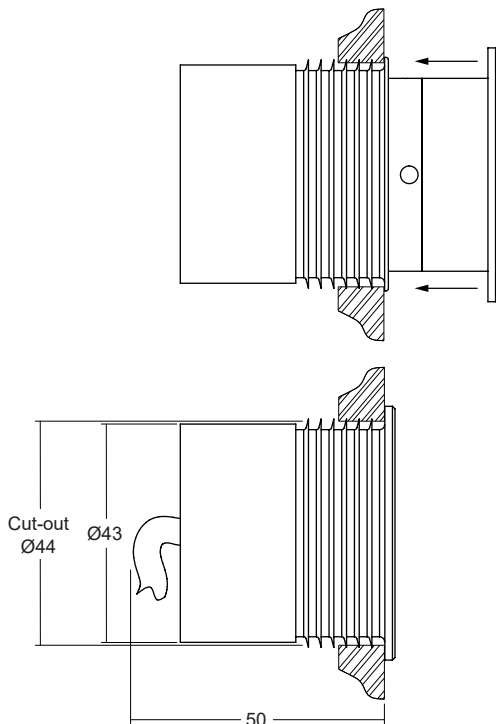
Dimensions and Fixing Options

/SC - Spring clip fixing



/476 - 'O' rings and sleeve

A more robust and water tight method of fixing, for exterior applications



Order Codes and Options

Product code	LED colour	Finish	Fixing
LD57SQ-350 - 500 - 700	<input type="text"/>	<input type="text"/>	<input type="text"/>

Example: LD57SQ-500 / LW30 / Stainless steel / 476

Product codes with output options

1.2W LED at 350mA	LD57SQ-350
1.7W LED at 500mA	LD57SQ-500
2.4W LED at 500mA	LD57SQ-700

LED colour options

Extra Warm White (2700K)	/LW27
Warm White (3000K)	/LW30
White (4000K) - on request	/LW40
Cool White (5000K)	/LW50
Blue	/LB
Green	/LG
Red	/LR
Amber	/LA

Finish options

Stainless steel 316 (standard)
Polished stainless steel (passivated for marine environments)
Paint finish white / black / RAL

Fixing options

Spring clips	/SC
First fix sleeve and 'O' rings	/476

Use with 350mA, 500mA and 700mA constant current LED drivers

We have a wide range of dimmable LED drivers, 0-10V, DMX, DALI and Mains dimmable. Please see the downloads section on our website:
To run 1-14 LD57SQ-350 in series use a TXDEL350D (0-10V dimmable)
To run 1-14 LD57SQ-500 in series use a TXDEL500D (0-10V dimmable)
To run 1-13 LD57SQ-700 in series use a TXDEL700D (0-10V dimmable)